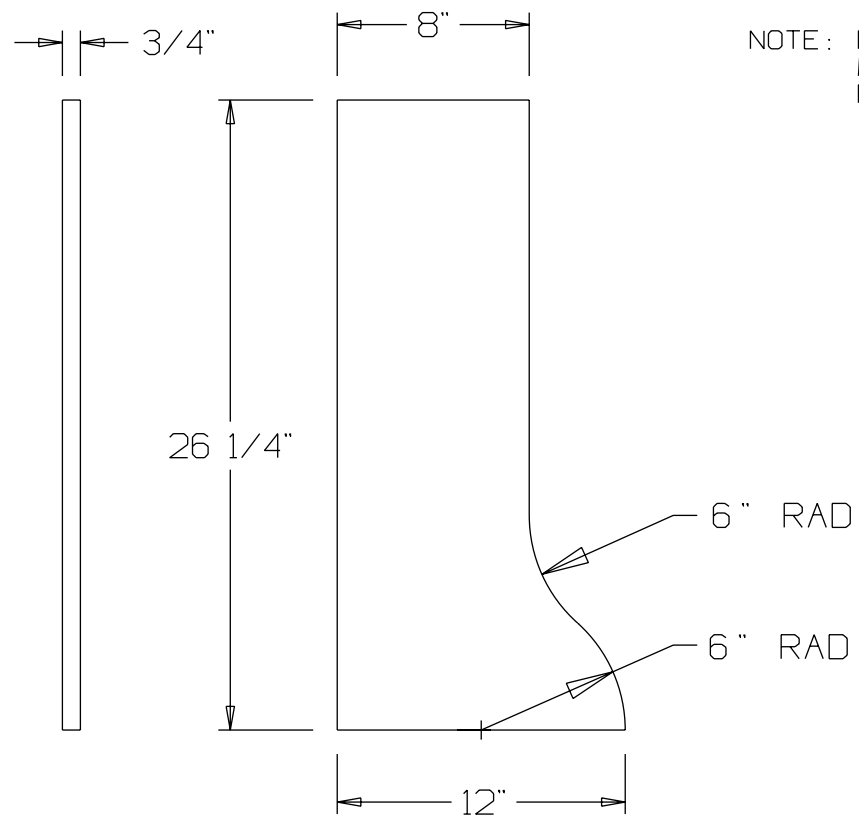
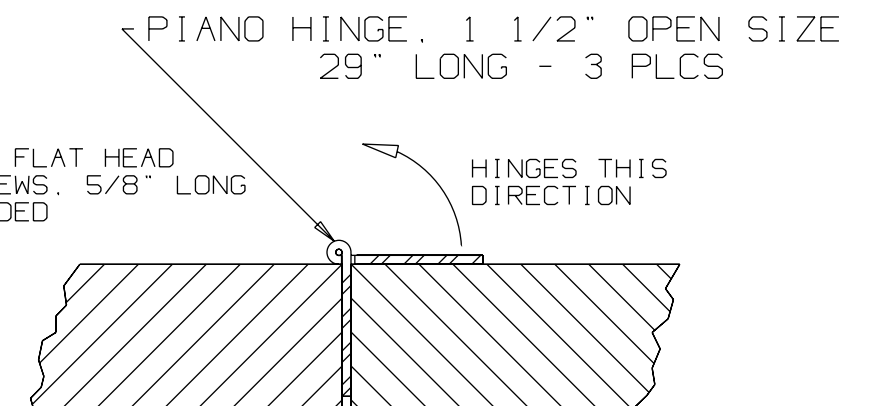


DETAIL E



DETAIL F

NOTE: PHILLIPS FLAT HEAD
MTG. SCREWS, 5/8" LONG
RECOMMENDED



PIANO HINGE MOUNTING

DETAIL G

© 1995 Accelerated Christian Education, Inc.

All rights reserved. Printed in the United States of America.
This publication may not be reproduced in whole or in part
in any form or by any means without permission from
Accelerated Christian Education, Inc.

ACCELERATED CHRISTIAN EDUCATION
OPTIONAL STUDENT OFFICE
DETAIL DRAWINGS

DWG. NO. 0008	REV. 950316-0	SHEET 4 OF 4
------------------	------------------	-----------------